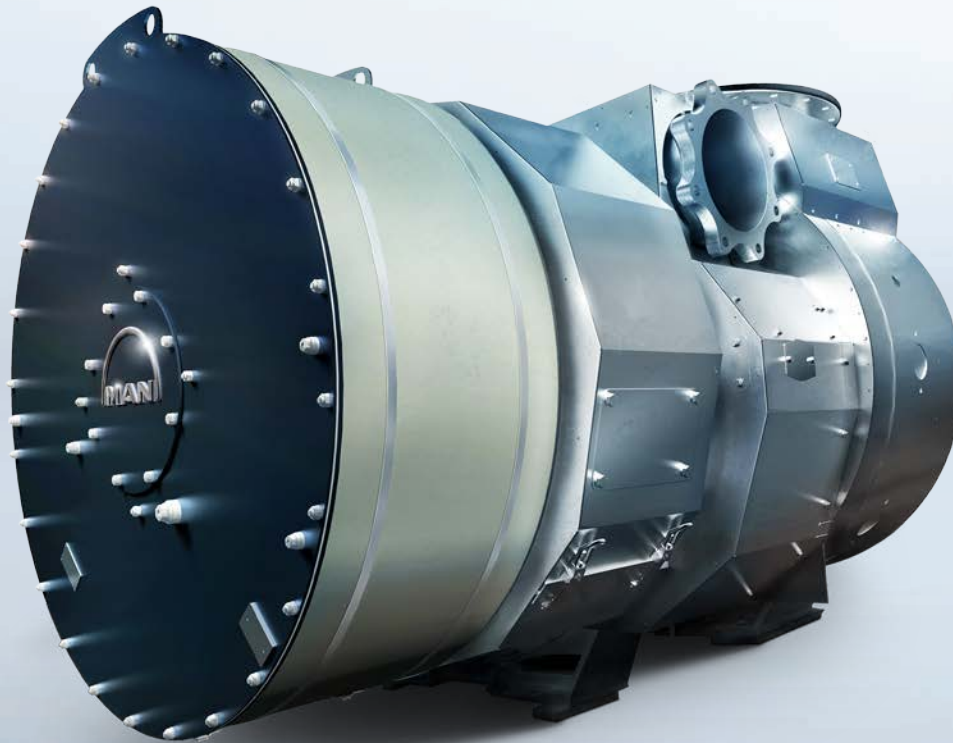


MAN TCR



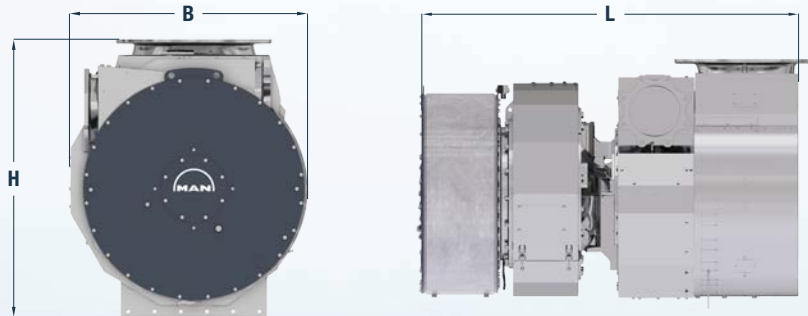
MAN TCR turbochargers were created to address the very special challenges faced by HFO, MDO, bio-fuel and gas engines. Products are available for the entire engine power range, from 350 kW to 7MW per turbocharger.

MAN TCR turbochargers are IMO Tier III compliant, and represent a robust, versatile modular platform – suitable for a wide variety of high-, medium- and low-speed engine applications.

Applications

- MARINE PROPULSION
- POWER GENERATION
- MINING
- EXCAVATORS
- OFF-ROAD VEHICLES
- MARINE GENSETS
- MECHANICAL DRIVE
- LOCOMOTIVES

MAN TCR



Dimensions

Type	L ¹⁾ in mm	H in mm	B in mm	Weight in kg
MAN TCR10	860	410	327	48
MAN TCR12	889	496	401	78
MAN TCR14	950	623	534	108
MAN TCR16	1,091	658	590	175
MAN TCR18	1,311	870	730	306
MAN TCR20	1,662	970	852	504
MAN TCR22	1,990	1,320	1,068	1,044

¹⁾ Length with silencer

All weights and dimensions are for guidance (project-specific requirements can lead to deviating values). More information available upon request.

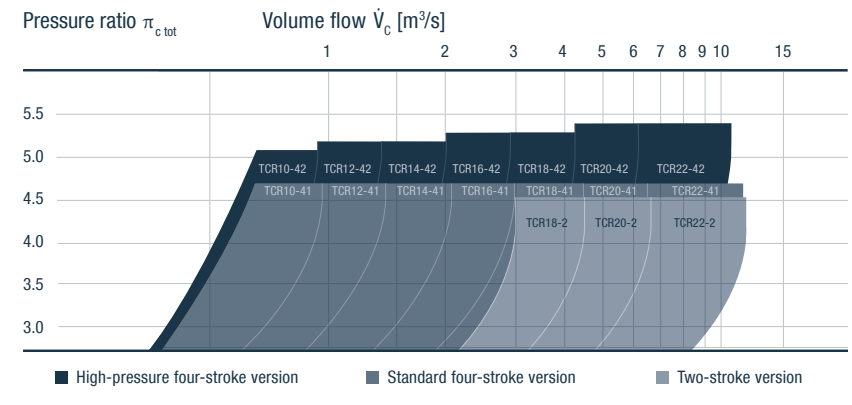
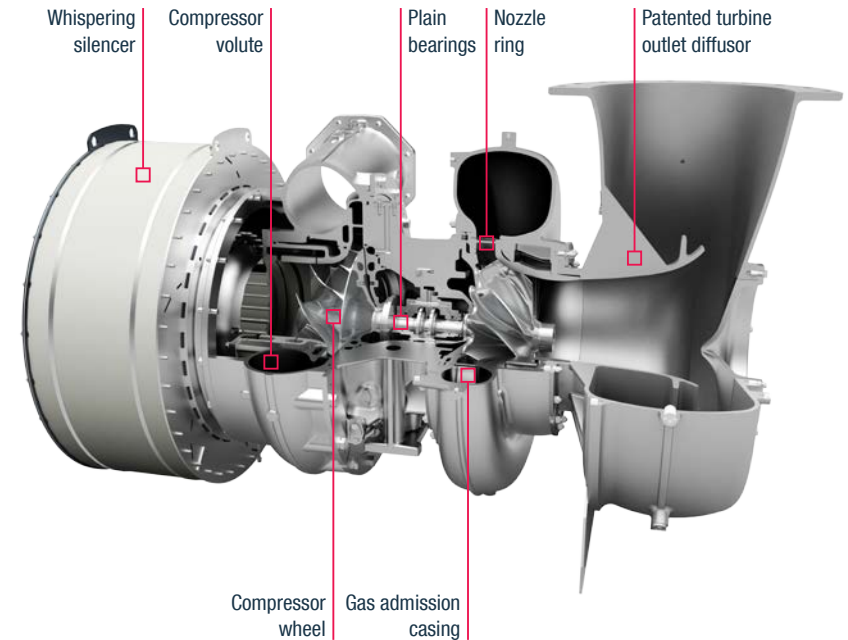
Type	Supercharged Engine Output		Max. Permissible
	Two-stroke [kW]	Four-stroke [kW]	Speed [rpm]
MAN TCR10	-	600	85,000
MAN TCR12	-	880	70,900
MAN TCR14	-	1,300	58,700
MAN TCR16	-	1,850	48,800
MAN TCR18	2,700	2,750	40,300
MAN TCR20	4,000	4,000	33,400
MAN TCR22	7,000	6,850	25,600

Specific air consumption (l/e)

7.0 kg/kWh

6.5 kg/kWh

The latest generation of MAN TCR turbochargers offers reduced size and weight while delivering greater efficiency, performance and reliability. Advanced materials ensure extended overhaul intervals, easier maintenance and a longer life.



MAN Diesel & Turbo, 86224 Augsburg, Germany

Phone: +49 821 322-0, Fax: +49 821 322 -3382

turbochargers@mandieselturbo.com | www.turbocharger.man.eu